

ORDER INFORMATION

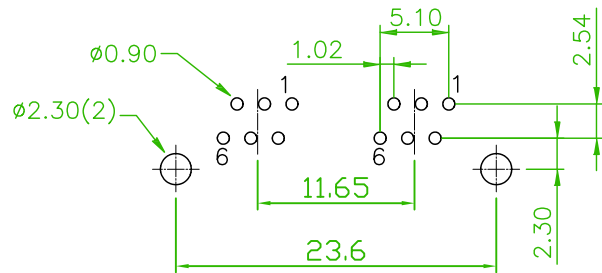
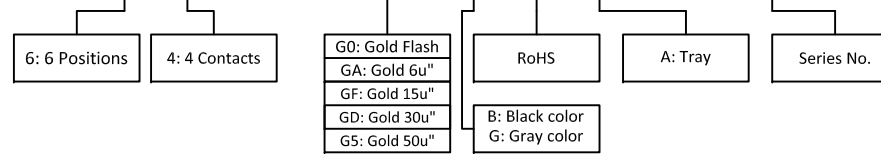
Material

Housing : PBT POLYESTER UL94V-0
MIXED GLASS FIBER.
STANDARD COLOR-BLACK

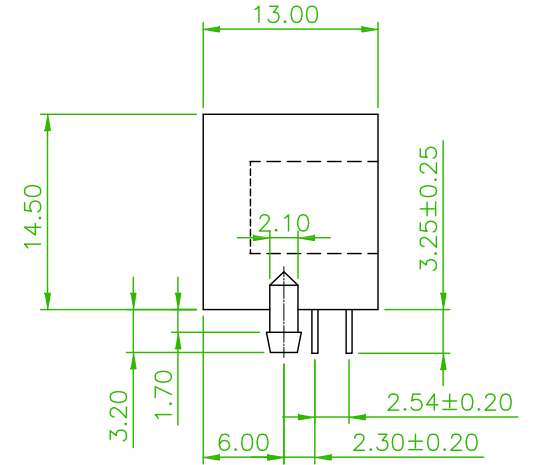
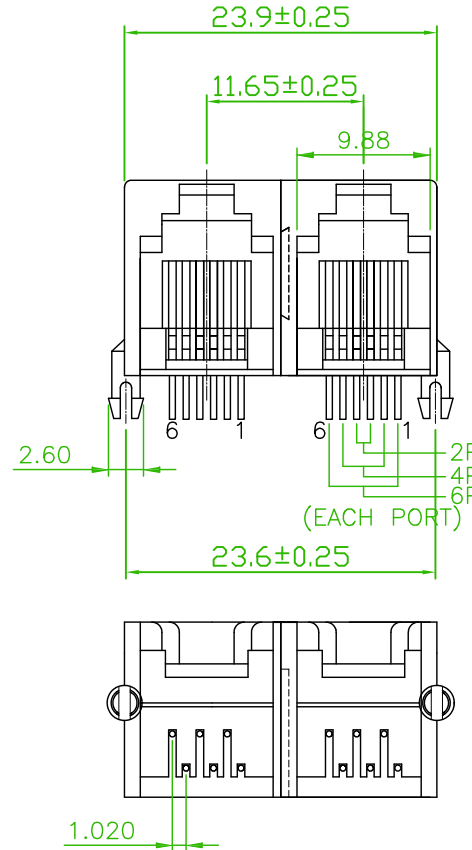
Contacts : 0.45mm THICK PHOS-BRONZE PLATED WITH HARD GOLD

CAVITY CONFIRMS TO FFC RULES AND REGULATIONS
PART 68, SUBPART F.


5 4 M J 2 D R 0 0 - 6 4 0 0 G A X L A - 6 5 0 - 0 1



PCB LAYOUT
Ref.



REV.	ECN NO. OR DESCRIPTION	REVISED	DATE

 Amtek Technology Co., Ltd. TEL: 886-2-2268-8036 FAX: 886-2-2268-8035	品名 TITLE	1X2 6POSITIONS 4CONTACTS RIGHT ANGLE RJ11 JACK		頁數 Page	1/1
	品號 PART NO.	54MJ2DR00-6400GAXLA-650-01		繪圖 DRAWN	Kaiser 2014/01/02
	圖號 DRAWING NO.	版本 REV.	A	核對 CHECKED	Bonnie 2014/01/02
	客戶品號 CUSTOMER P/N	比例 SCALE	None	承認 APPROVED	Joey 2014/01/02
	公差 TOLERANCE	.X ± 0.25 .XX ± 0.13	單位 UNIT	mm	THIRD ANGLE PROJECTION